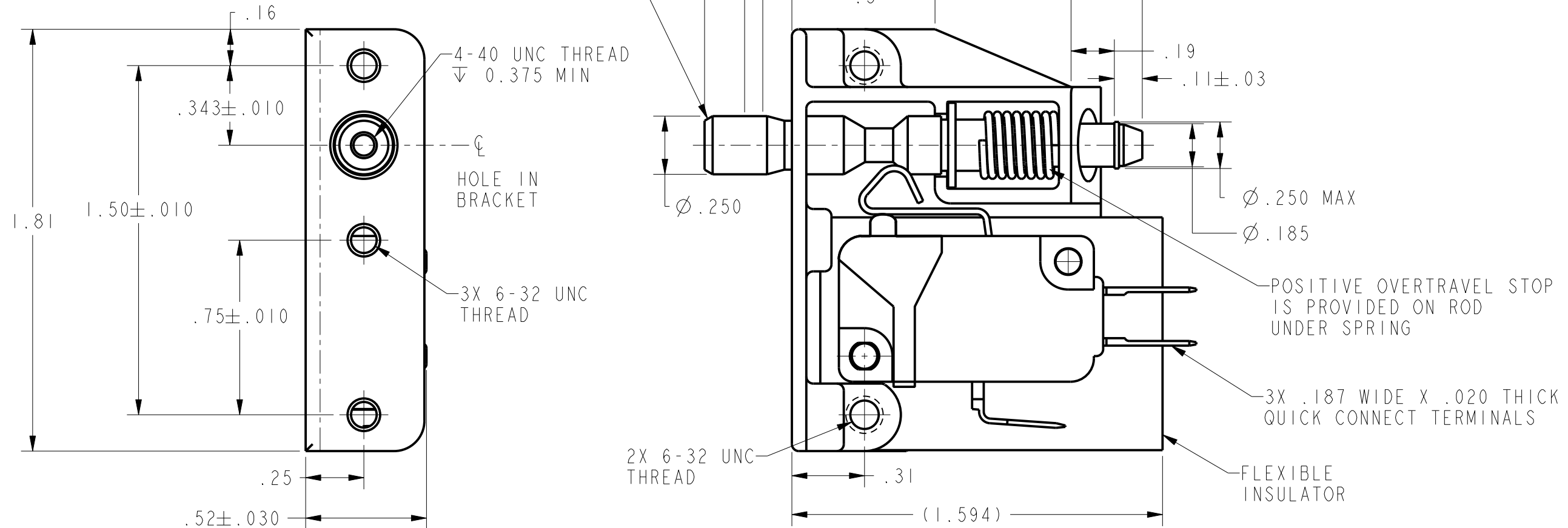


HONEYWELL PART NUMBER
23AC82
KC-R1634

REV	DOCUMENT	CHANGED BY	CHECK
3	0033368	BS 18JAN08	BLR

PUSH TO OPERATE-RETURNS  
AUTOMATICALLY TO POSITION  
SHOWN  
PULL TO OPERATE-REMAINS IN  
OPERATED POSITION UNTIL RESET  
FOR AUTOMATIC RETURN BY NEXT  
FULL STROKE "PUSH" OPERATION



NOTES

1. UNIT INCLUDES CATALOG LISTING "V7-6A17D8-296-S" BASIC SWITCH
2. BASIC SWITCH PLASTIC PARTS ARE MADE OF GLASS FILLED PCT AND TEFLON FILLED PHENOLIC
3. ACTUATOR ROD MADE OF HIGH STRENGTH PLASTIC
4. UL AND CSA APPROVALS APPLY TO BASIC SWITCH ONLY

CHARACTERISTICS	ELECTRICAL DATA	DESIGN UNITS: INCH	DRAWN	BS	18JAN08	<b>Honeywell</b>		
		TOLERANCES UNLESS NOTED:	CHECK	BLR	18JAN08			
TOTAL TRAVEL:	CONTACT ARRANGEMENT	NO PLACES .X ± 0.030	THIS DRAWING COVERS A PROPRIETARY ITEM AND IS THE PROPERTY OF HONEYWELL. THIS DRAWING IS NOT TO BE COPIED OR USED WITHOUT THE PERMISSION OF HONEYWELL.			TITLE		
.250 APPROX PUSH DIRECTION	S P D T	ONE PLACE .X ± 0.015				ASSEMBLY-SWITCH		
.187 APPROX PULL DIRECTION	5A 125, <u>250</u> , 277 VAC	TWO PLACE .XX ± 0.005				INTERPRET PER ASME Y14.5M-1994 OTHER HONEYWELL ENGINEERING STANDARDS MAY APPLY		
FULLY DEPRESSED FORCE-- 4 LBS MAX	1/10HP <u>250</u> VAC	THREE PLACE .XXX ±				SIZE	TYPE	DRAWING NAME
		ANGLES X ±	<b>B</b>	<b>I</b>	<b>23AC82</b>	<b>3</b>		
		THIRD ANGLE PROJECTION	Pro/ENGINEER	3D	SCALE	2:1	SHEET 1 OF 1	